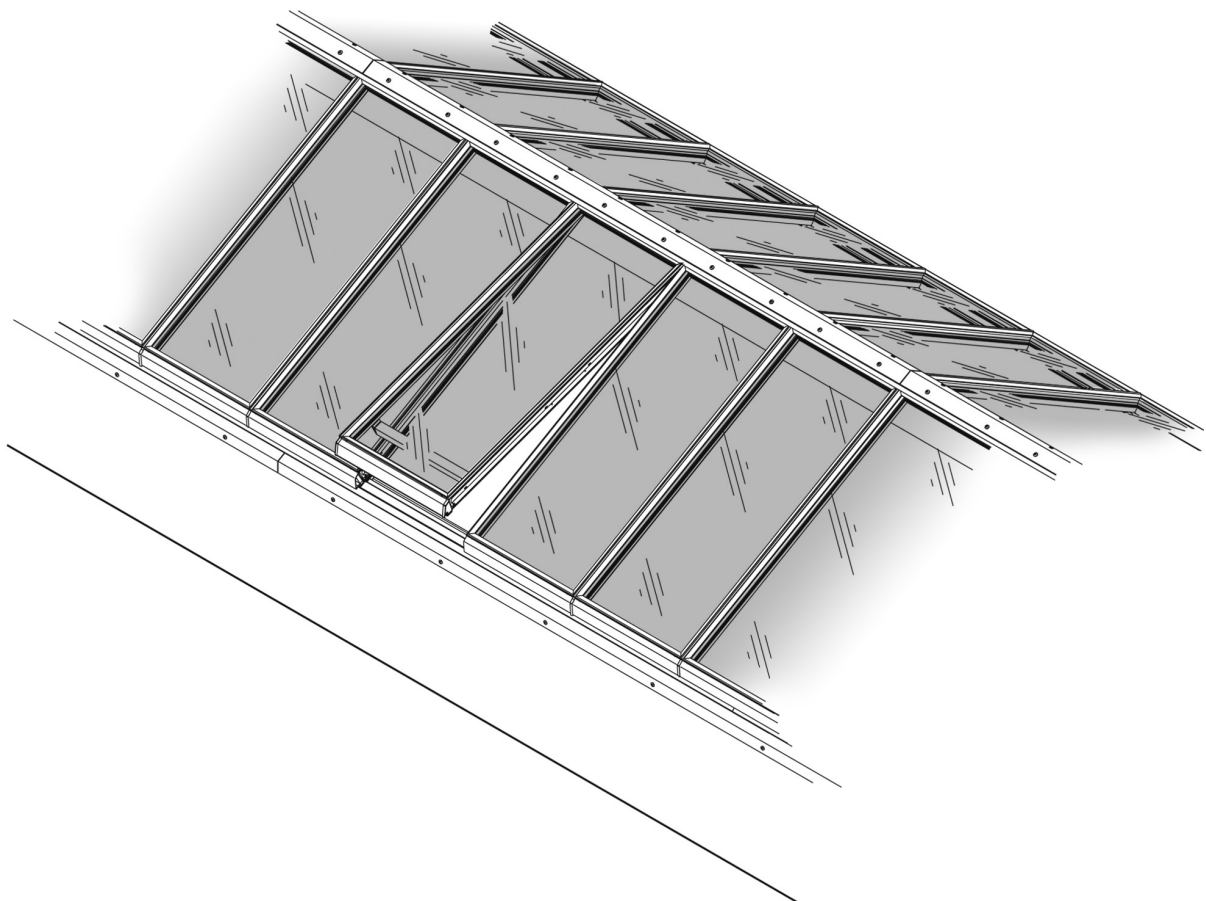


Opening Panel- Installation of trimmer joist

Oplukke





Important
Vigtigt

In connection with installation of actuators for smoke and fire ventilation, the actuator must be secured with screws to the bottom frame, so the installation can resist minimum 1000 N in press- and pull force. Therefore it must be ensured that the screws and the substructure meet the demands above.

In connection with installation of actuators for smoke and fire ventilation, the actuators must always be tested before the installer leaves the building site.

Ved montage af motorer til brand opluk, skal skrue befæstigelsen af motorer på lysningen kunne optage minimum 1000N i tryk- / trækraft. Det skal derfor sikres at både underlag og skruer opfylder ovenstående krav.

Ved montage af motorer til brand opluk, skal der altid udføres test af oplukke funktionen inden pladsen forlades.

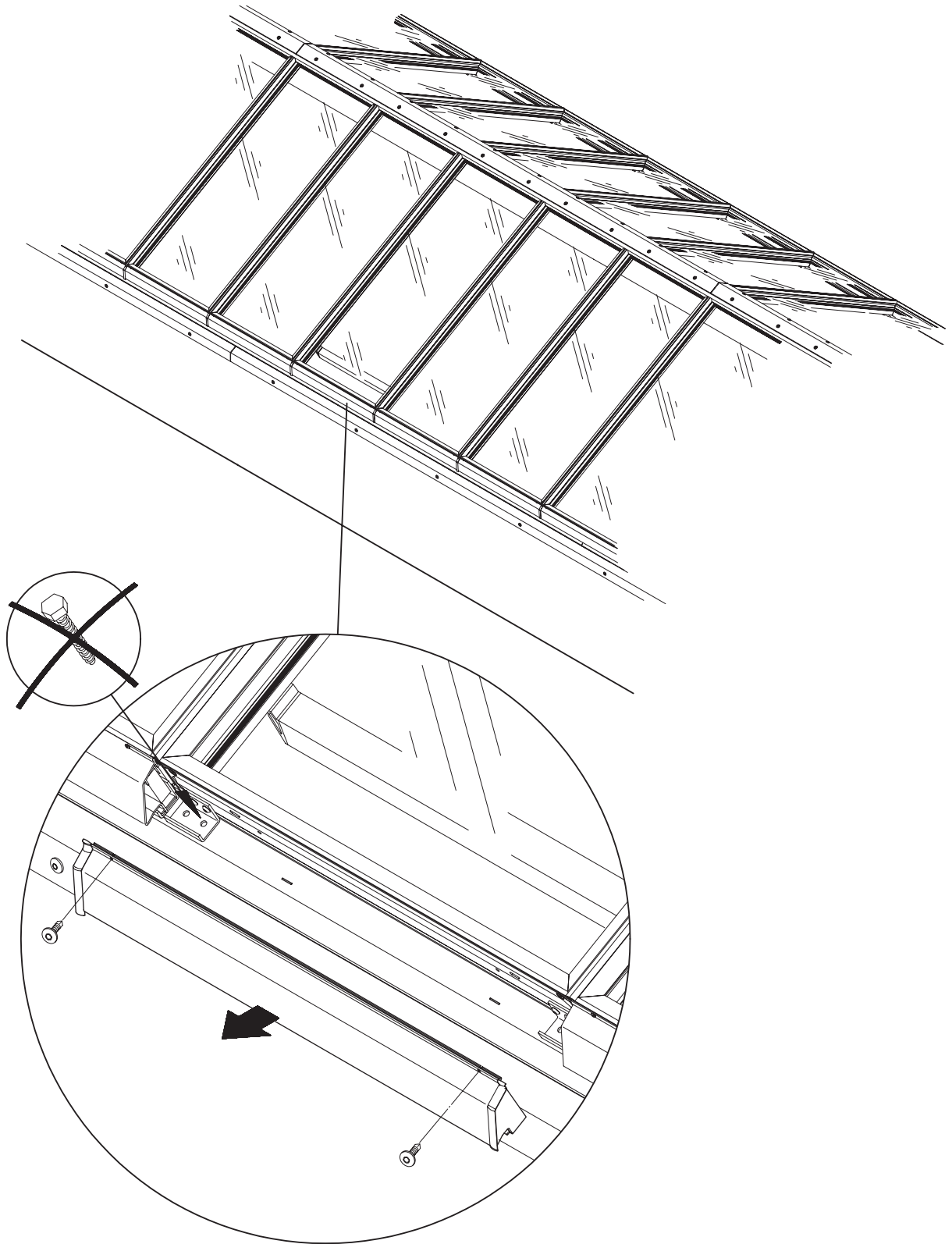


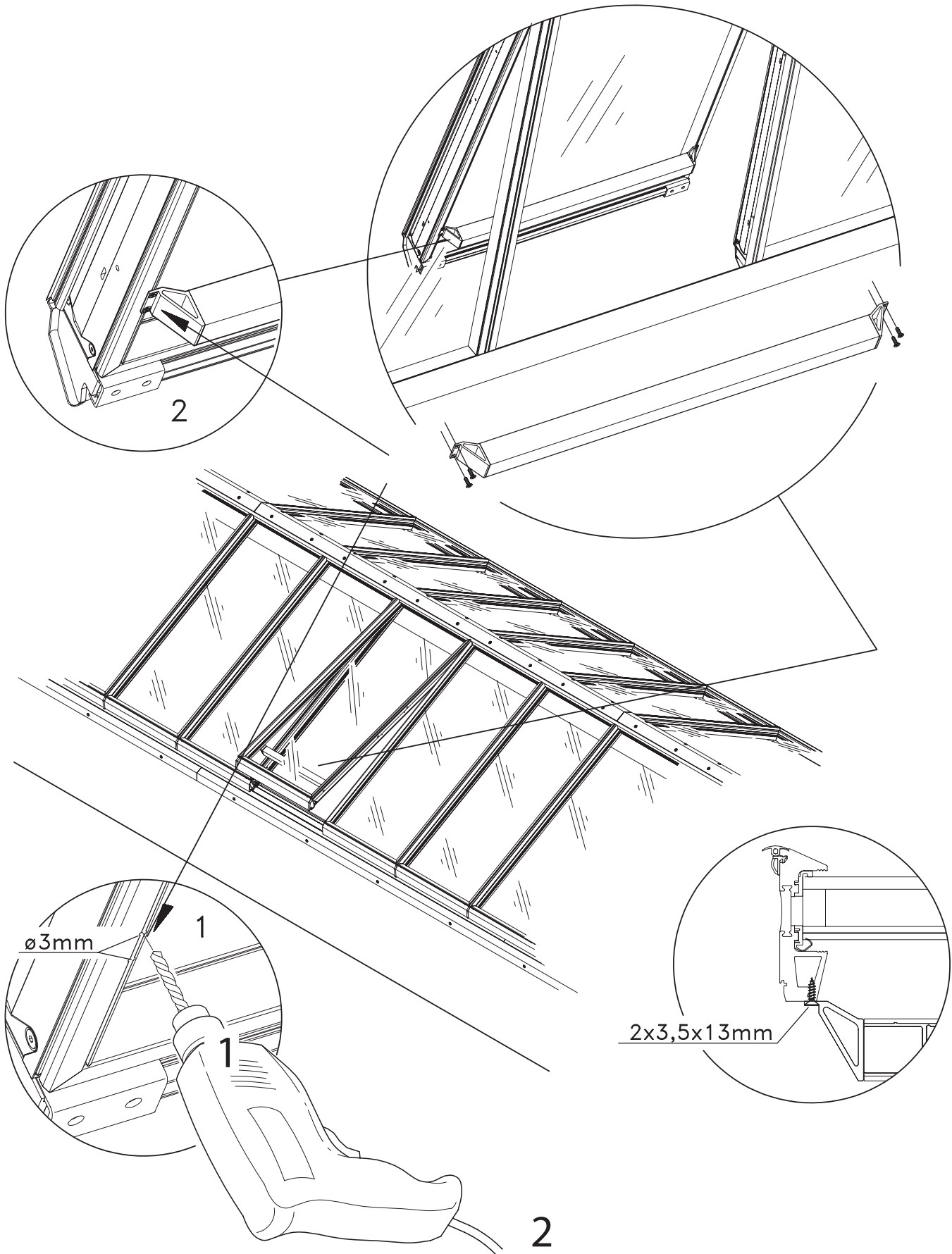
Important
Vigtigt

In connection with every installation of VITRAL products, approved Lifting equipment and outfit for personal protection, must always be used according to the statutory law for health and safety.

Der skal i forbindelse med installation af VITRAL produktet altid anvendes godkendt løftegrej og personlige værnemidler, i henhold til Arbejdstilsynets anvisninger.

Installation of trimmer joist
Montering af travers







**bringing
the
outside
in**

VITRAL A/S
Lyfa Parken
Måløv Byvej 229
DK-2760 Måløv, Denmark

Phone: +45 47 18 01 00
Fax: +45 47 18 01 11
E-mail: info@vital.dk
www.vital.dk
