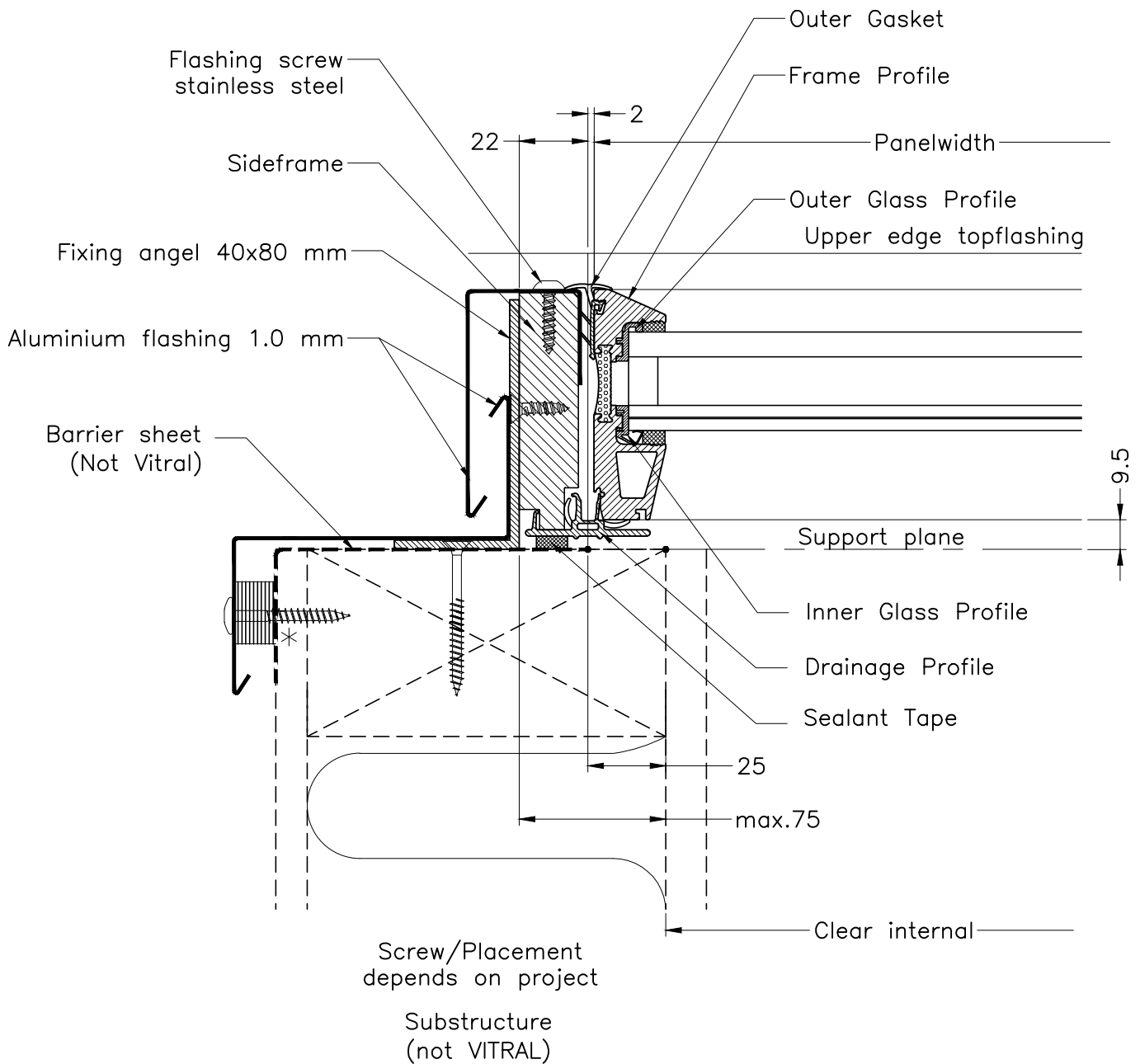


Insulating glass unit
 nominal 30.38–32.0 mm
 Inner pane: laminated glass



* = screw (not VITRAL)

© VITRAL A/S

Måløv Byvej 229 DK-2760 Måløv
 Telephone +4547180100 Telefax +4547180111

Sign.: BH Scale: 1:2 Date: 01.03.15

Solid gable – 90° section